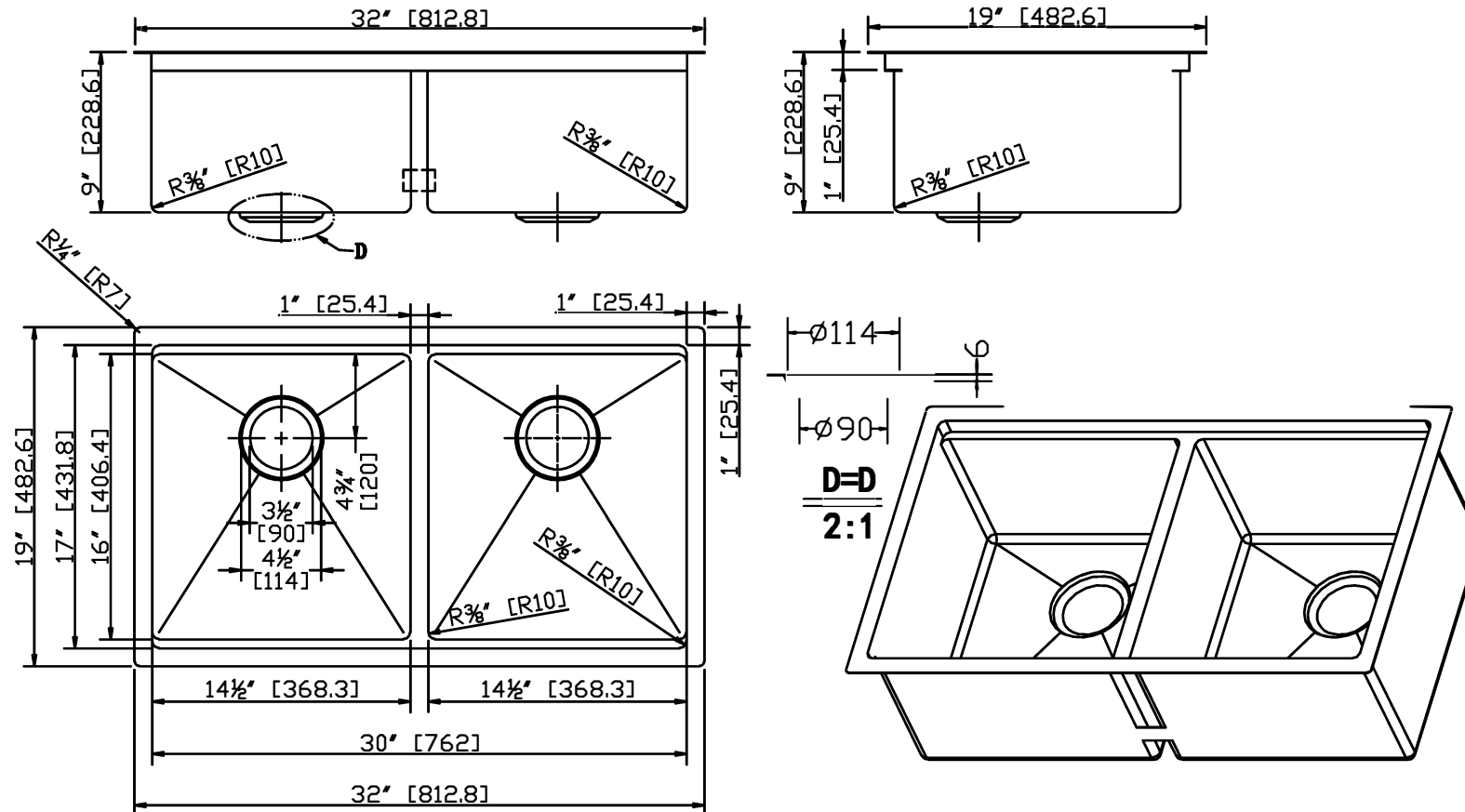


# TYRO™

Perfection is our Tradition™

HAND MADE STAINLESS STEEL SINK  
Customer No. : 115-1  
Model: 3219R(50/50)-Ledge double sink  
Product NO. : TY3219 Ledge  
Dimensions: 32in.L x 19in.W x 9in.H  
Material: SUS304 18Gauge

Date: 2021-11-18  
QTY: 50  
Material Size:



For more information visit us at [www.tyrosupply.ca](http://www.tyrosupply.ca) or E-mail us at [info@tyrosupply.ca](mailto:info@tyrosupply.ca)